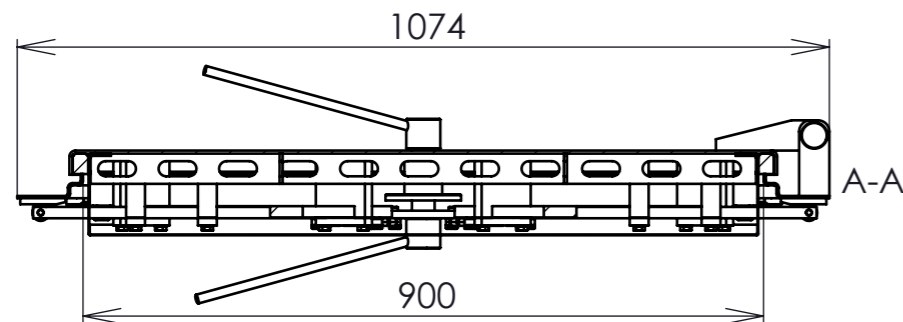
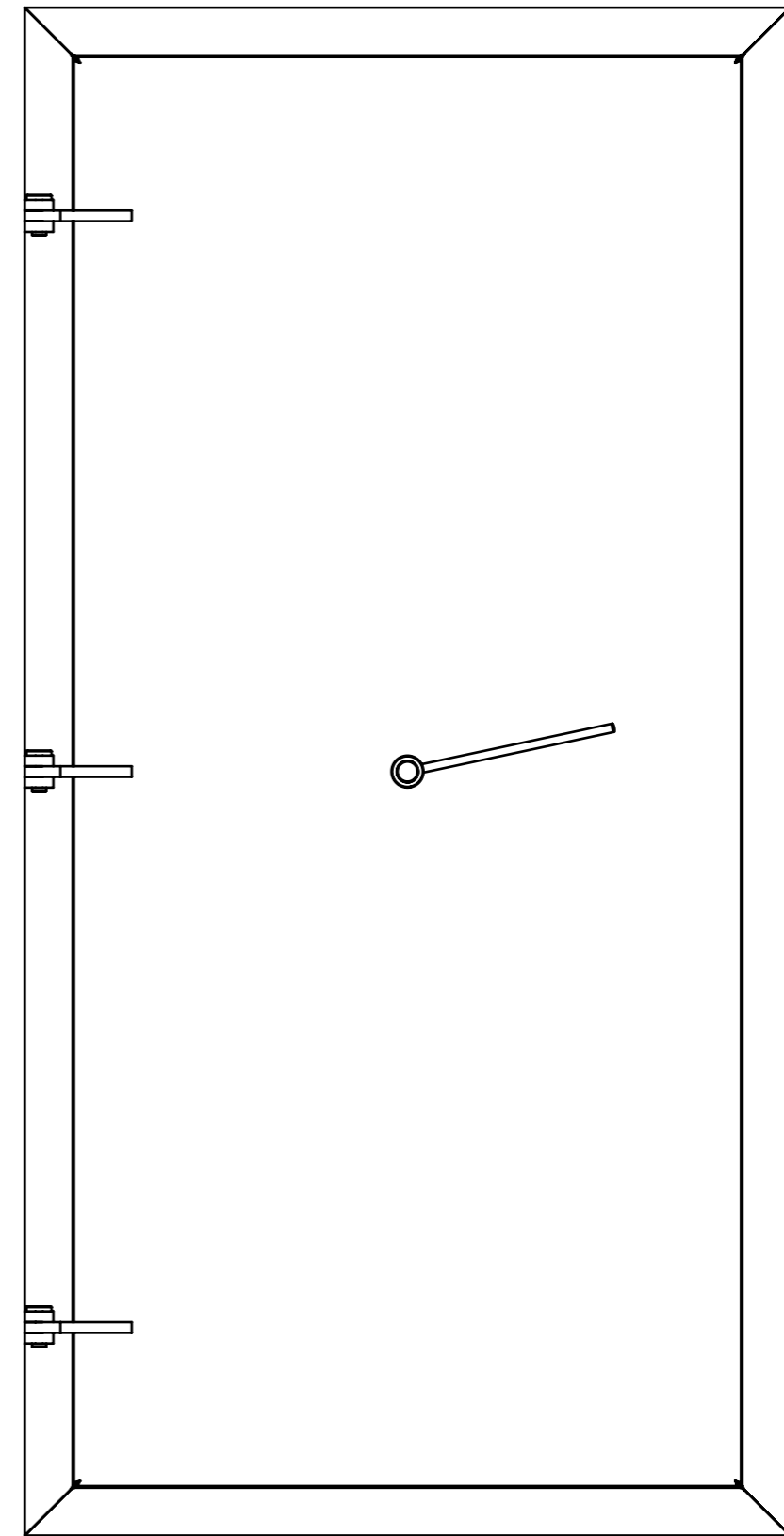



B-B



A-A

 VIPAX pežní bezpečnost staveb			POČET KS NA JEDNY DVEŘE	DEBUR AND BREAK SHARP EDGES	DO NOT SCALE DRAWING	REVISION
NAME	SIGNATURE	DATE			TITLE:	
DRAWN	Minařík Petr	4.3.2010			<h1>ATD-900x1970</h1>	
CHK'D						
APPV'D						
MFG						
Q.A			MATERIAL:		DWG NO.	A3
			WEIGHT:		SCALE:1:10	SHEET 1 OF 1